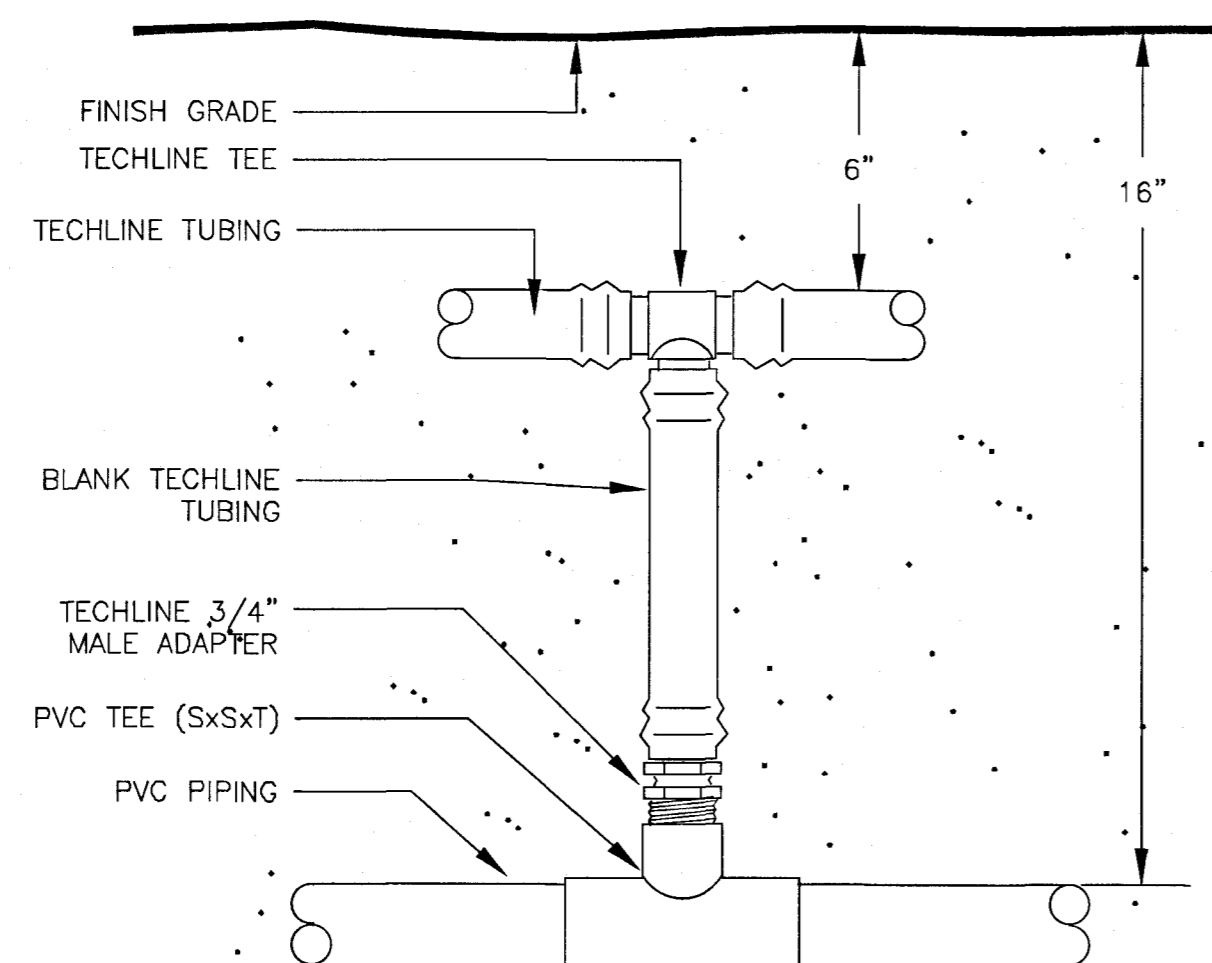
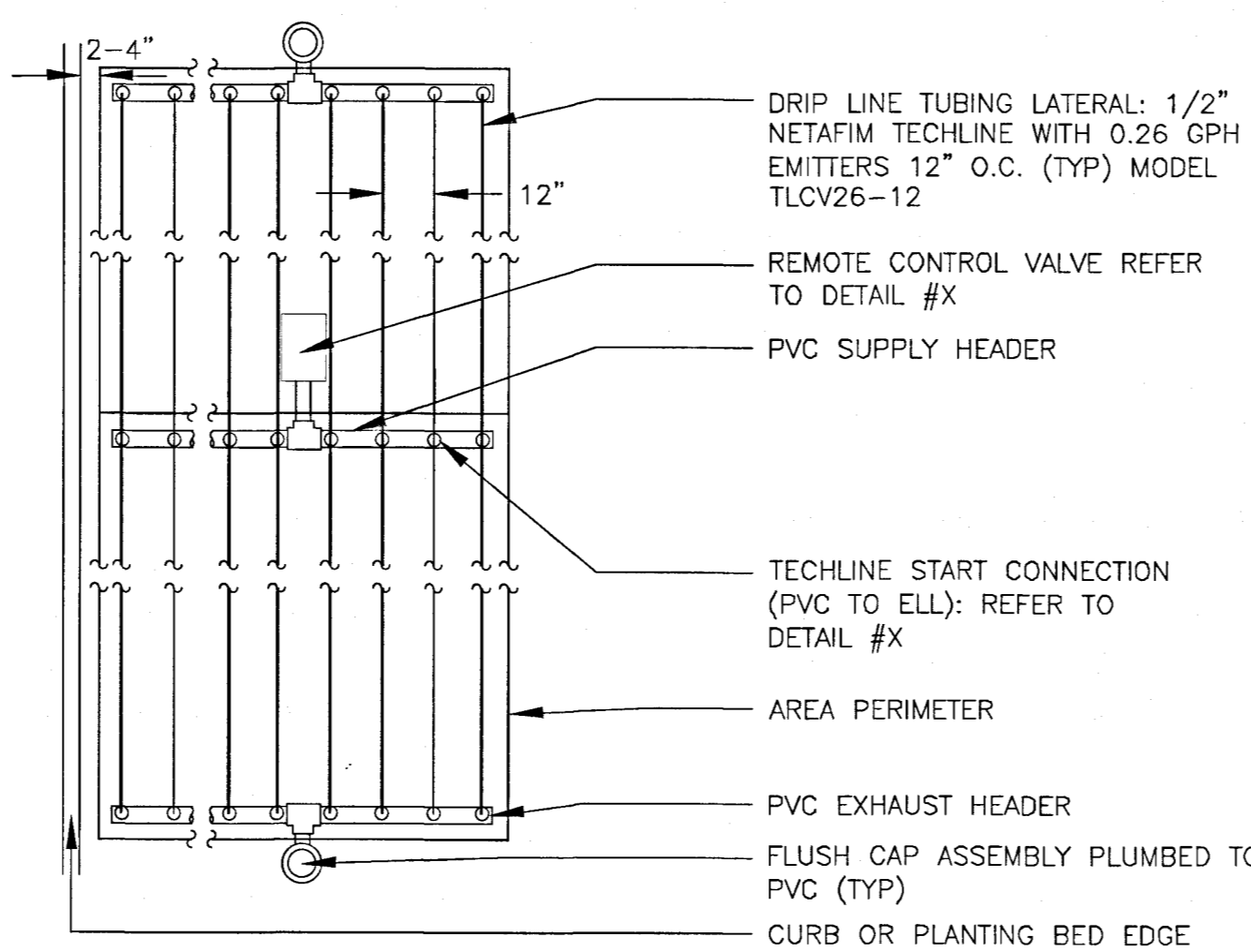


10 PVC TECHLINE CONNECTION

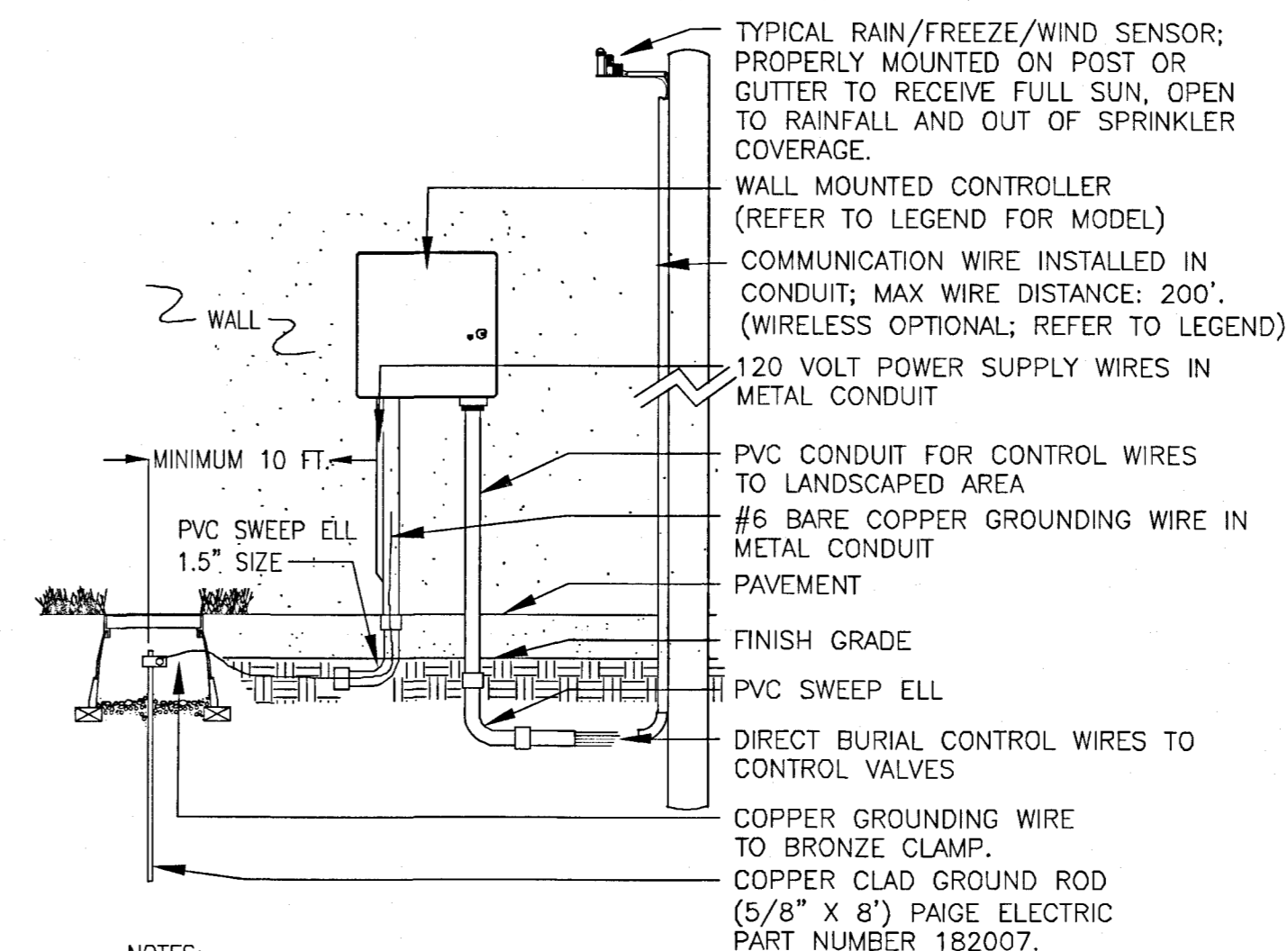


11 SUBSURFACE DRIP ASSEMBLY IN SHRUB BEDS

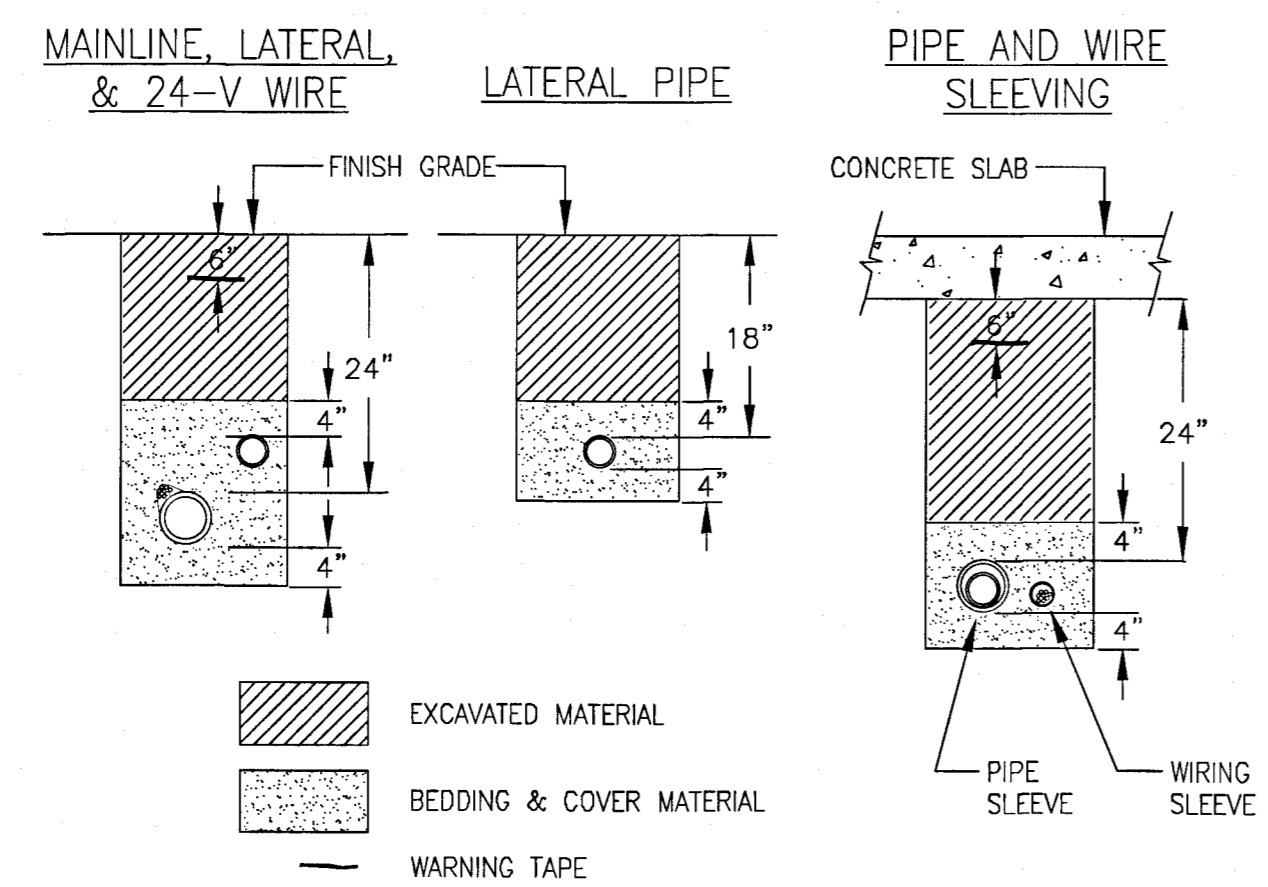


- NOTES:
 1. INSTALL SYSTEM PER MANUFACTURER'S INSTRUCTIONS AND RECOMMENDATIONS FOR EQUIPMENT APPLICATION AND INSTALLATION.
 2. MAXIMUM FLOW FOR 1-INCH REMOTE CONTROL VALVE ASSEMBLY IS 10 GPM.
 3. INSTALL AT A DEPTH OF 4"-6" IN UNIFORM SOIL.

12 WALL MOUNT CONTROLLER ASSEMBLY



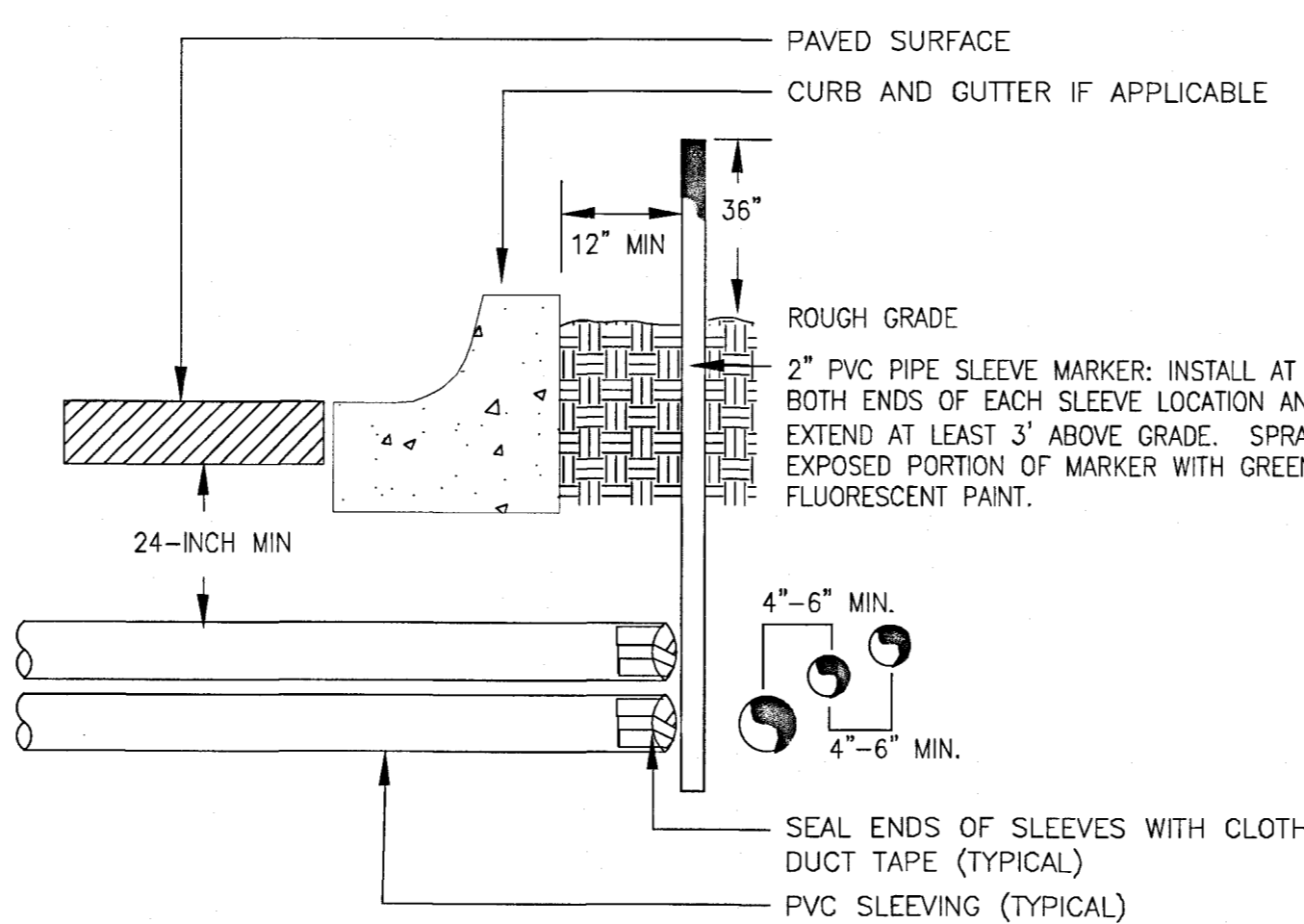
- NOTES:
 1. INSTALL ALL WIRING PER LOCAL ELECTRICAL CODES.
 2. INSTALL GROUND ROD WITHIN IRRIGATED TURF AREA. IF IRRIGATED TURF AREA IS NOT IN CLOSE PROXIMITY TO CONTROLLER, INSTALL ONE (1) DRIP EMITTER FROM NEAREST DRIP VALVE IN VALVE BOX HOUSING GROUNDING ROD.



- NOTES:
 1. SLEEVE ALL PIPE AND WIRE SEPARATELY.
 2. ALL PIPE TO BE INSTALLED PER MANUFACTURER'S SPECIFICATIONS. "SNAKE" UNSLEEVED PLASTIC PIPE IN TRENCH. PROVIDE A MINIMUM OF 2" CLEARANCE TO SIDE OF TRENCH AND BETWEEN PIPES.
 3. ALL 120-V WIRING SHALL BE INSTALLED IN ACCORDANCE WITH LOCAL CODE REQUIREMENTS. TAPE AND BUNDLE 24-V WIRE EVERY 10' AND PROVIDE LOOSE 20" LOOP AT ALL CHANGES OF DIRECTION OVER 30 DEGREES.

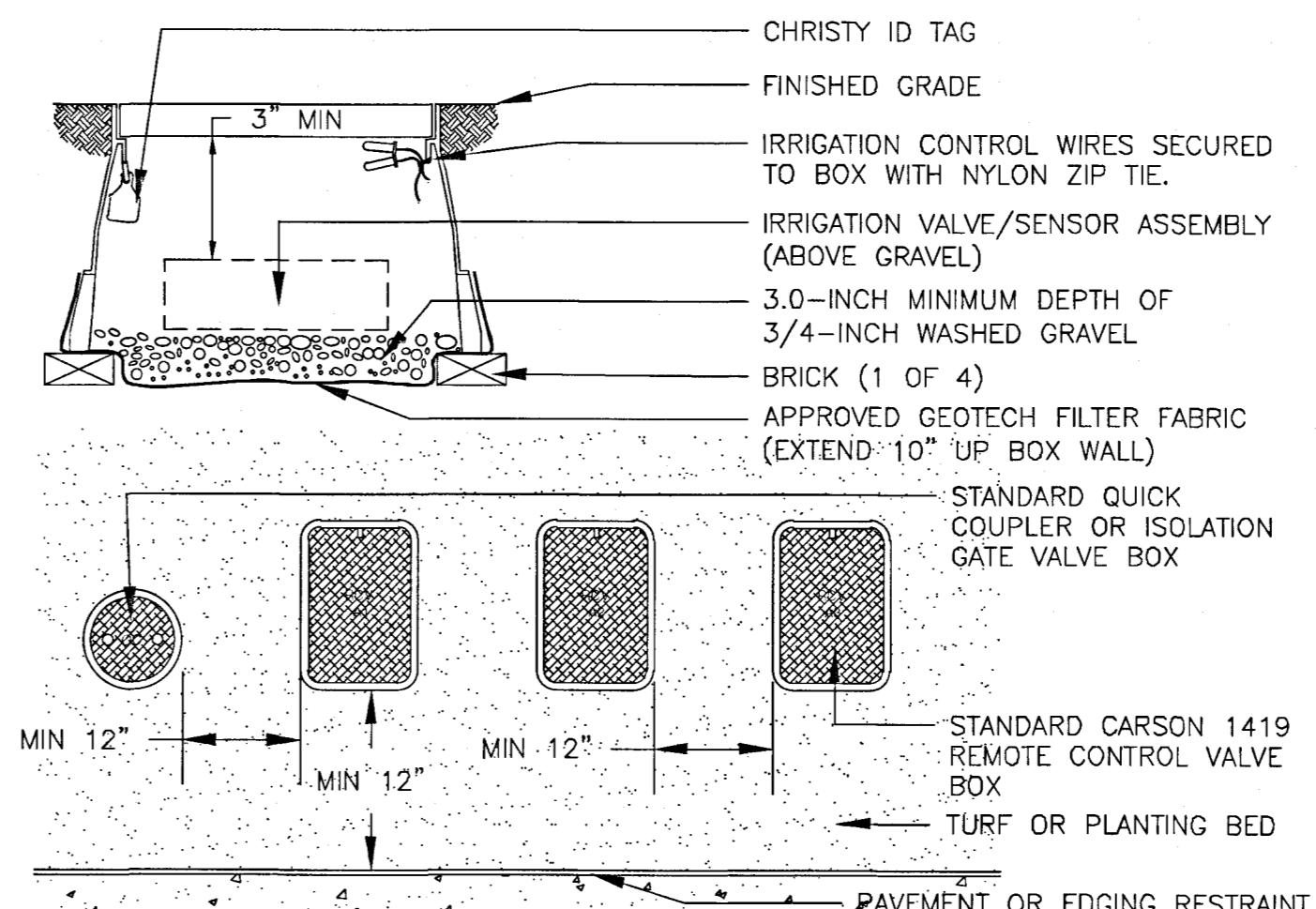
13 TYPICAL TRENCHING DETAIL

14 TYPICAL SLEEVING DETAIL

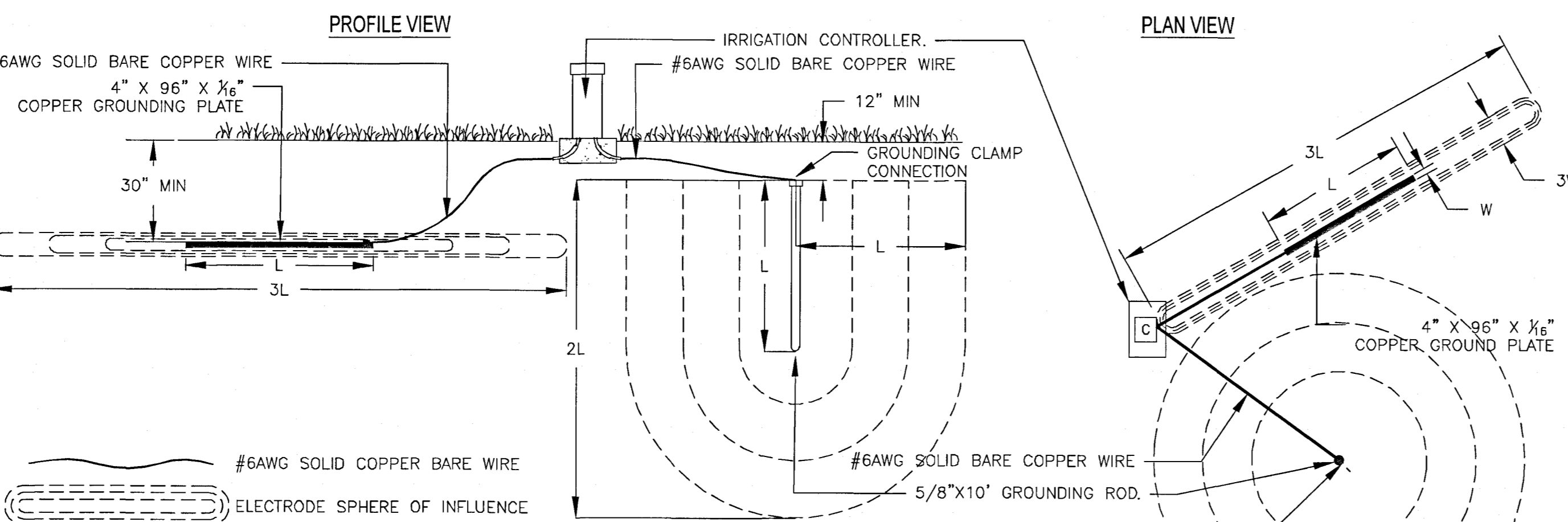


- NOTE:
 1) ALL SLEEVING TO BE CLASS 200 BE PVC, SIZED AS NOTED.
 2) INSTALL SLEEVES IN SIDE-BY-SIDE CONFIGURATION WHERE MULTIPLE SLEEVES ARE TO BE INSTALLED. SPACE SLEEVES 4" TO 6" APART. DO NOT STACK SLEEVES VERTICALLY.

15 TYPICAL VALVE BOX INSTALLATION



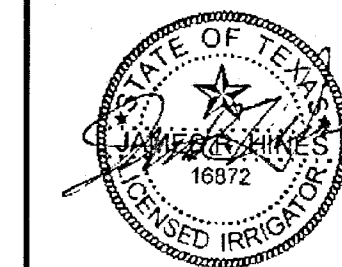
- NOTES:
 1. INSTALL ONLY ONE RCV TO VALVE BOX. LOCATE AT LEAST 12-INCHES FROM AND ALIGN WITH NEARBY WALLS OR EDGES OF PAVED AREAS. GROUP RCV ASSEMBLIES TOGETHER WHERE PRACTICAL.
 2. GROUP RCV ASSEMBLIES TOGETHER WHERE PRACTICAL, BUT AVOID GROUPING MORE THAN THREE (3) STANDARD VALVE BOXES TOGETHER IN A SERIES.
 3. ARRANGE GROUPED VALVE BOXES IN RECTANGULAR PATTERNS.



- NOTES:
 1. INSTALL GROUNDING ROD OR PLATE BASED ON SITE CONDITIONS. DO NOT INSTALL BOTH.
 2. DO NOT INSTALL ANY OTHER WIRE OR CABLES INSIDE THE SPHERE OF INFLUENCE.
 3. INSTALL GROUNDING PLATE AT A MINIMUM OF 30-INCHES BELOW GRADE OR BELOW FROST-LINE, WHICHEVER IS DEEPER.
 4. TYPICAL INSTALLATION SHOWN FOR AN IRRIGATION CONTROLLER CAPACITY OF 64 STATIONS OR LESS. INSTALL AN ADDITIONAL GROUNDING ROD/PLATE PER 64 STATIONS.

16 TYPICAL IRRIGATION CONTROLLER GROUNDING ROD OR PLATE INSTALLATION

Hines Inc
 SITE WATER ENGINEERING SERVICES
 323 W. DRANE RD., SUITE 204
 DART MOUNTAIN, COLORADO 80528
 TEL: 303.682.1000
 Web: www.hinesinc.com



MAY 22, 2019

44 EAST
44 EAST AVENUE
 AUSTIN, TRAVIS COUNTY, TEXAS 78701
 IRRIGATION DETAILS

SITE PLAN APPROVAL SHEET OF	
FILE NUMBER: SP-2018-0472C	APPLICATION DATE: 10-5-18
APPROVED BY COMMISSION ON UNDER SECTION 112 OF	
CHAPTER 25-5 OF THE CITY OF AUSTIN CODE.	
EXPIRATION DATE (25-5-81, LDC): 12/1/22	CASE MANAGER: Johnson
DIRECTOR/DEVELOPMENT SERVICES DEPARTMENT	
RELEASED FOR GENERAL COMPLIANCE: 12/1/19 ZONING: CBD	
REV. 1	CORRECTION 1
REV. 2	CORRECTION 2
REV. 3	CORRECTION 3
FINAL PLAN MUST BE RECORDED BY THE PROJECT EXPIRATION DATE. IF APPLICABLE. SUBSEQUENT SITE PLANS WHICH DO NOT COMPLY WITH THE CODE CURRENT AT THE TIME OF FILING, AND ALL REQUIRED BUILDING PERMITS AND/OR A NOTICE OF CONSTRUCTION (IF A BUILDING PERMIT IS NOT REQUIRED) MUST ALSO BE APPROVED PRIOR TO THE PROJECT EXPIRATION DATE.	

SHEET
IR4
 43 OF 72
 SP-2018-0472C