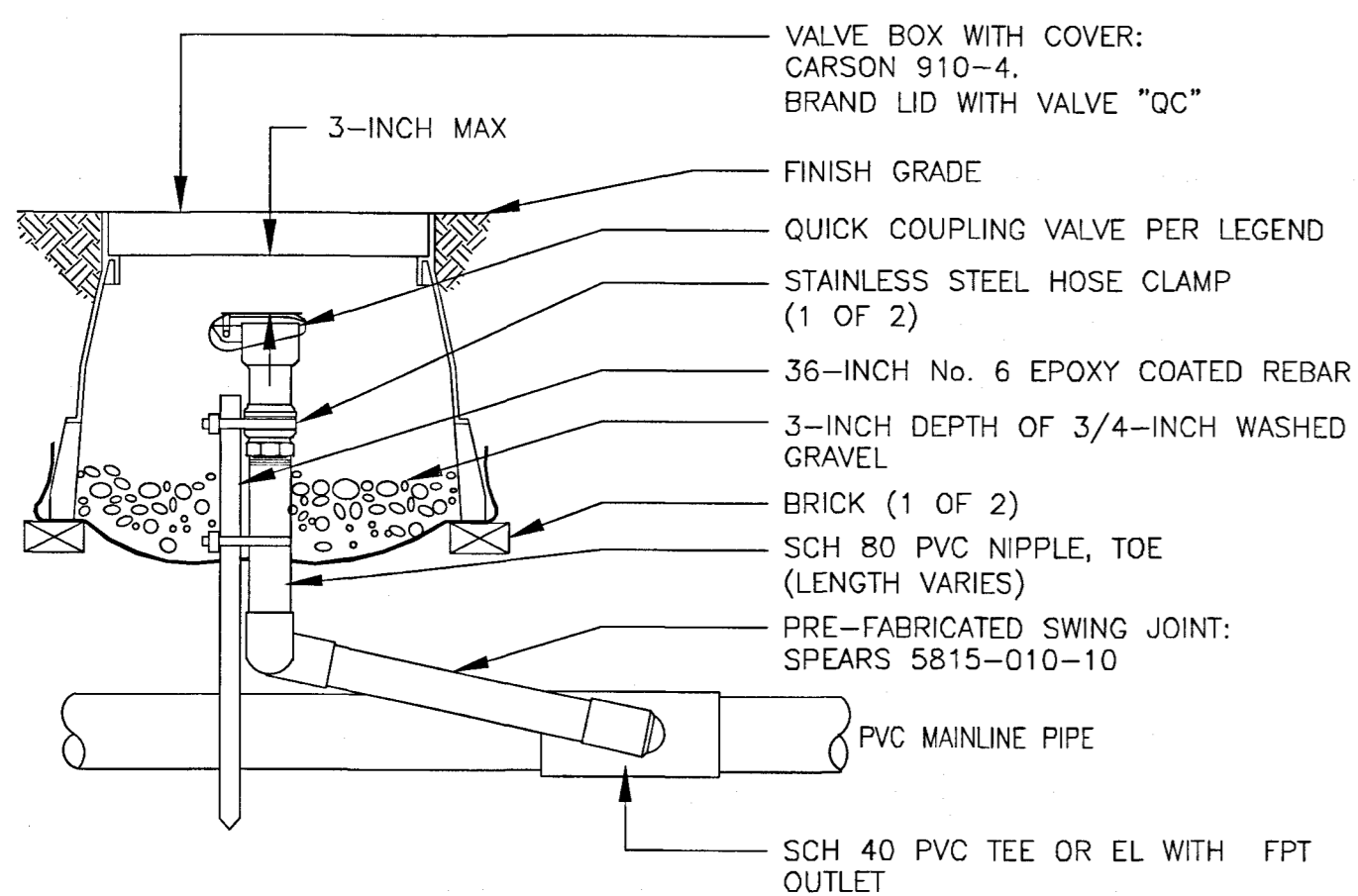
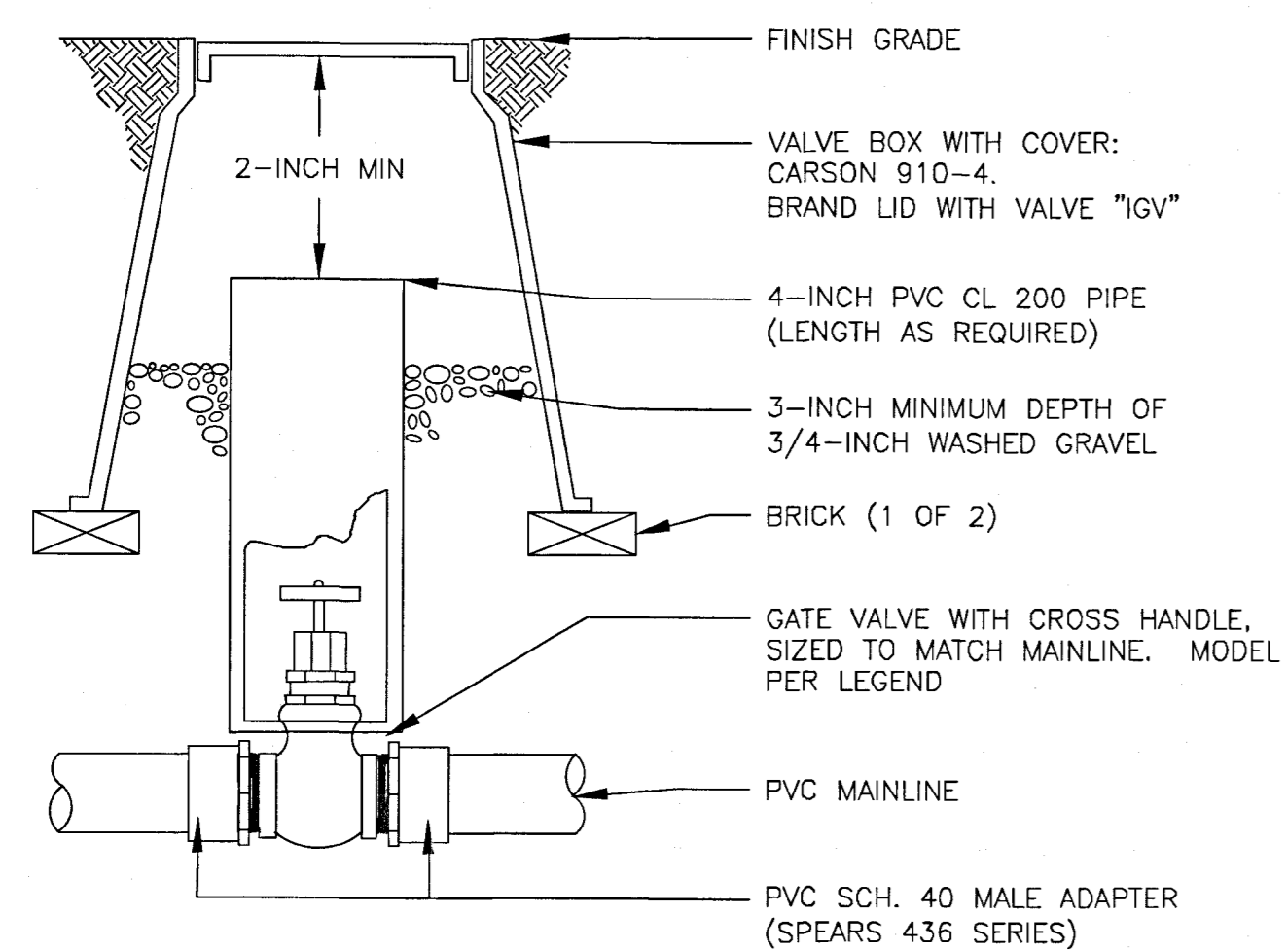


- NOTES:
1. INSTALL BACKFLOW DEVICE IN ACCORDANCE WITH ALL STATE AND LOCAL CODE REQUIREMENTS.
 3. ALL HINGED CONNECTION LOCATIONS AND HARDWARE TO BE TAMPER PROOF.
 4. ALL WELD JOINTS SHALL BE CONTINUOUS AND GROUND SMOOTH.

1 DOUBLE CHECK VALVE ASSEMBLY

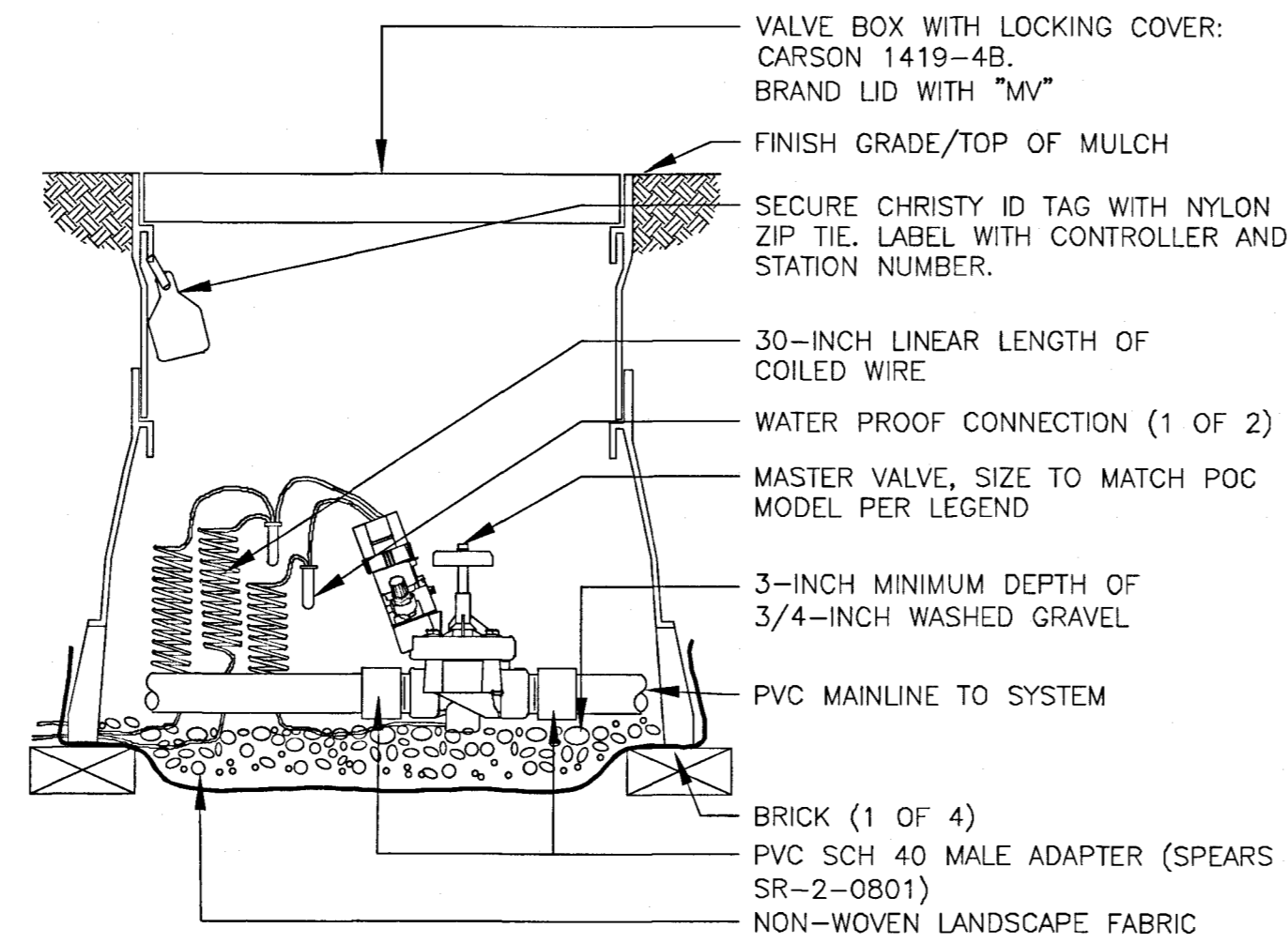


4 QUICK COUPLING VALVE ASSEMBLY

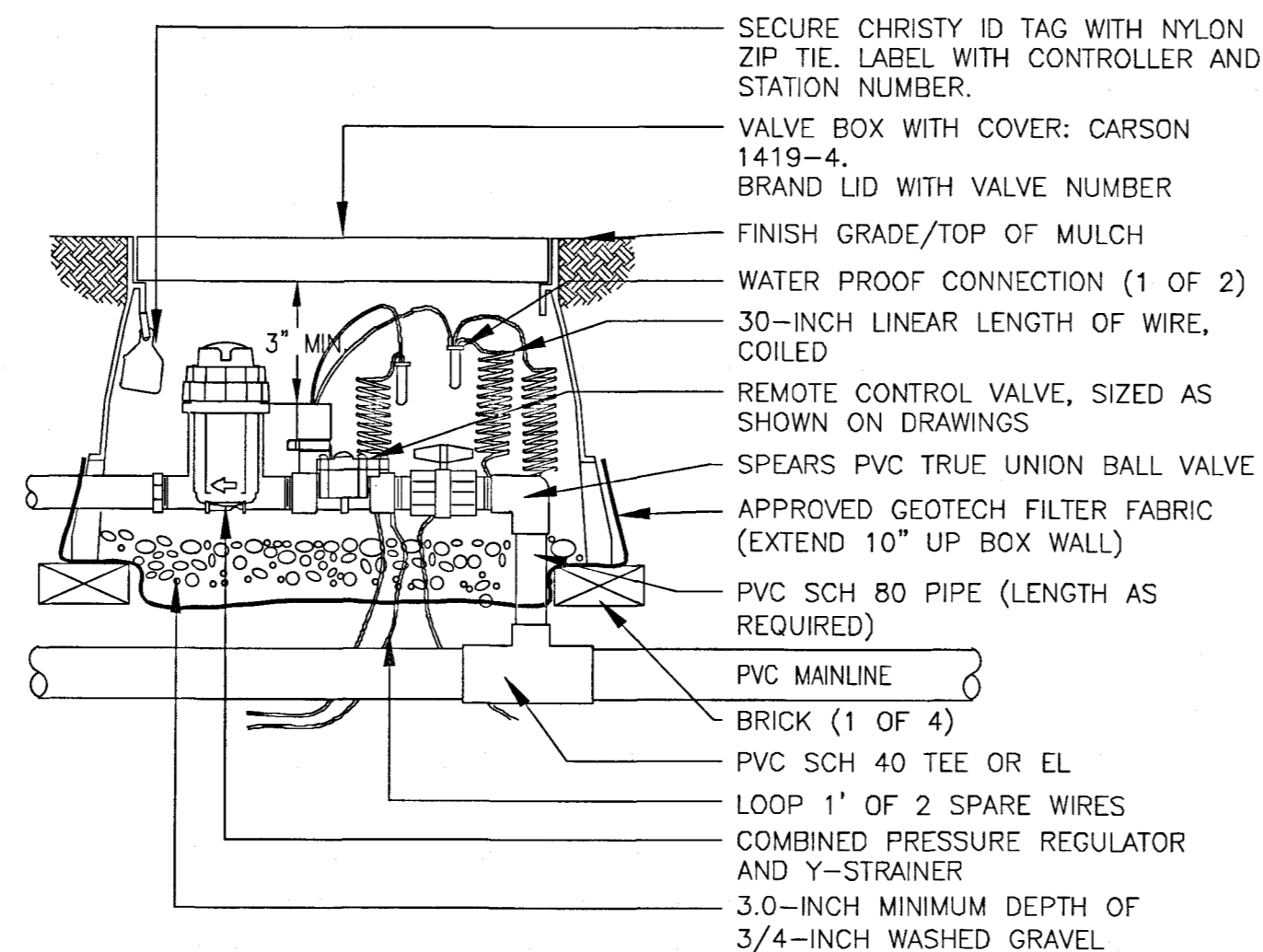


- NOTES:
1. NOMINAL SIZE OF GATE VALVE TO MATCH NOMINAL MAINLINE SIZE.

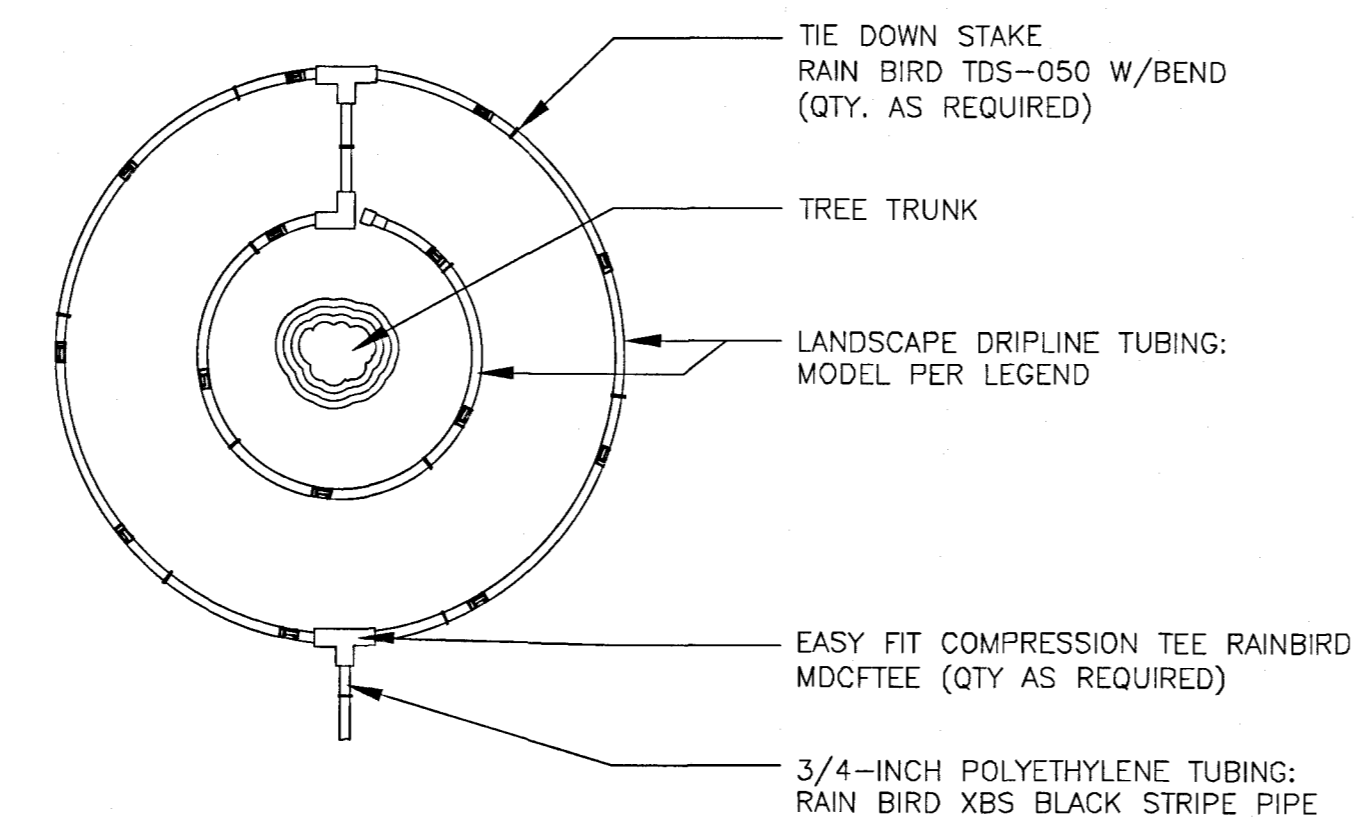
7 ISOLATION GATE VALVE ASSEMBLY



2 MASTER VALVE ASSEMBLY

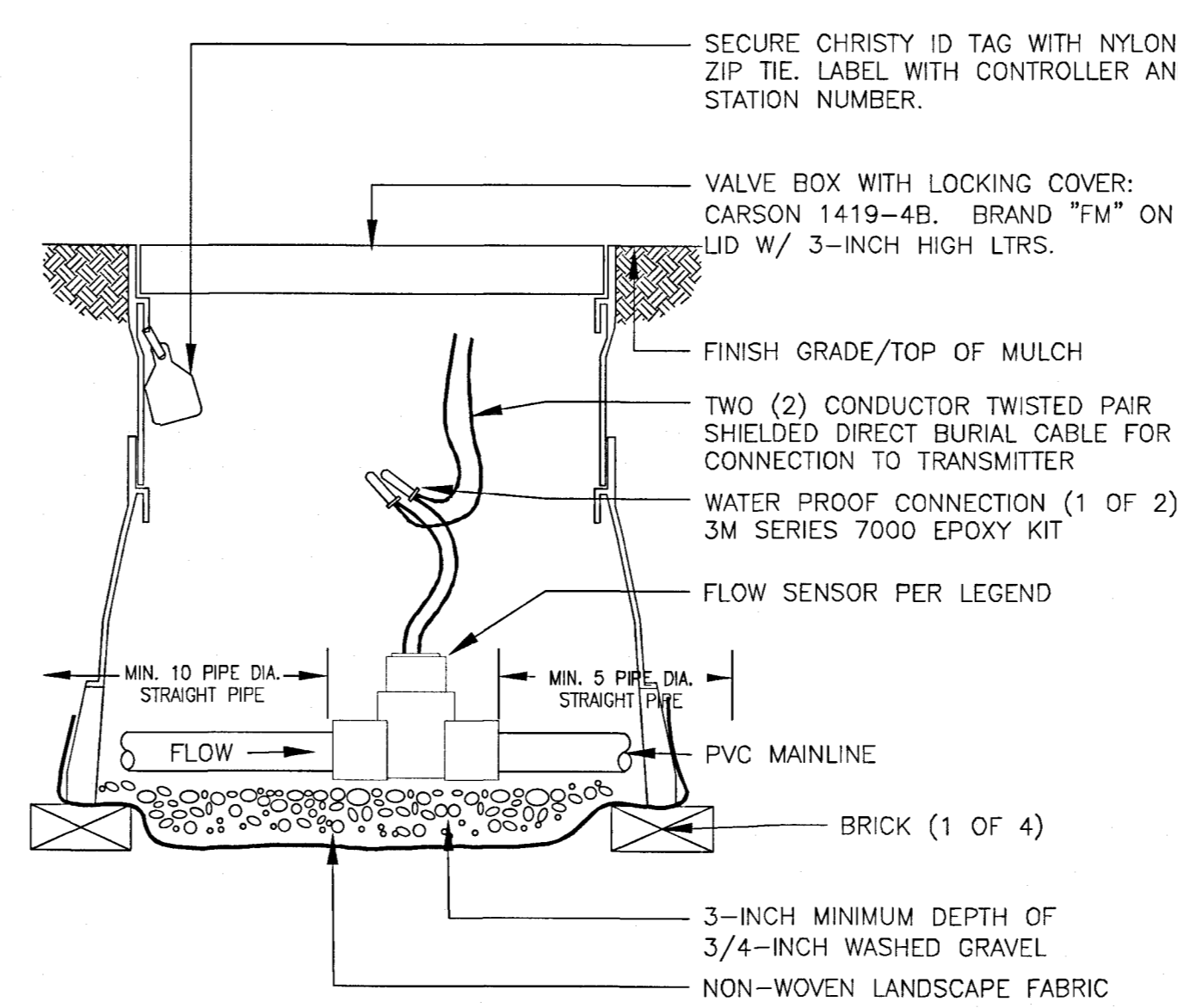


5 REMOTE CONTROL DRIP VALVE ASSEMBLY

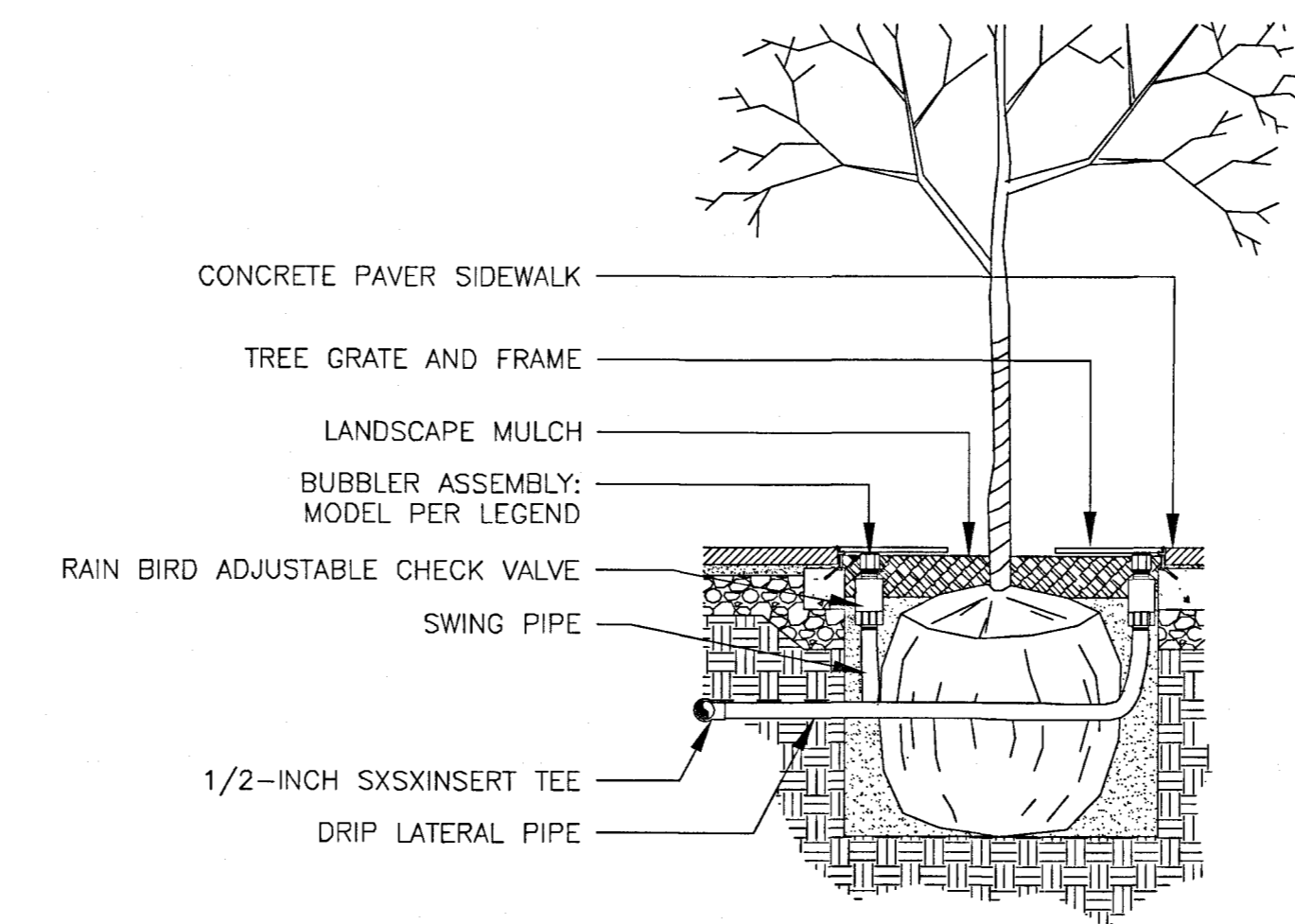


- NOTE:
1. CONTRACTOR SHALL INSTALL ALL DRIP TUBING IN TURF AND NATIVE AREAS 2-3" BELOW GRADE.
 2. DIAMETER OF DRIPLINE RINGS ARE DEPENDANT ON TREE CANOPY SIZE.

8 INLINE DRIP RING ASSEMBLY

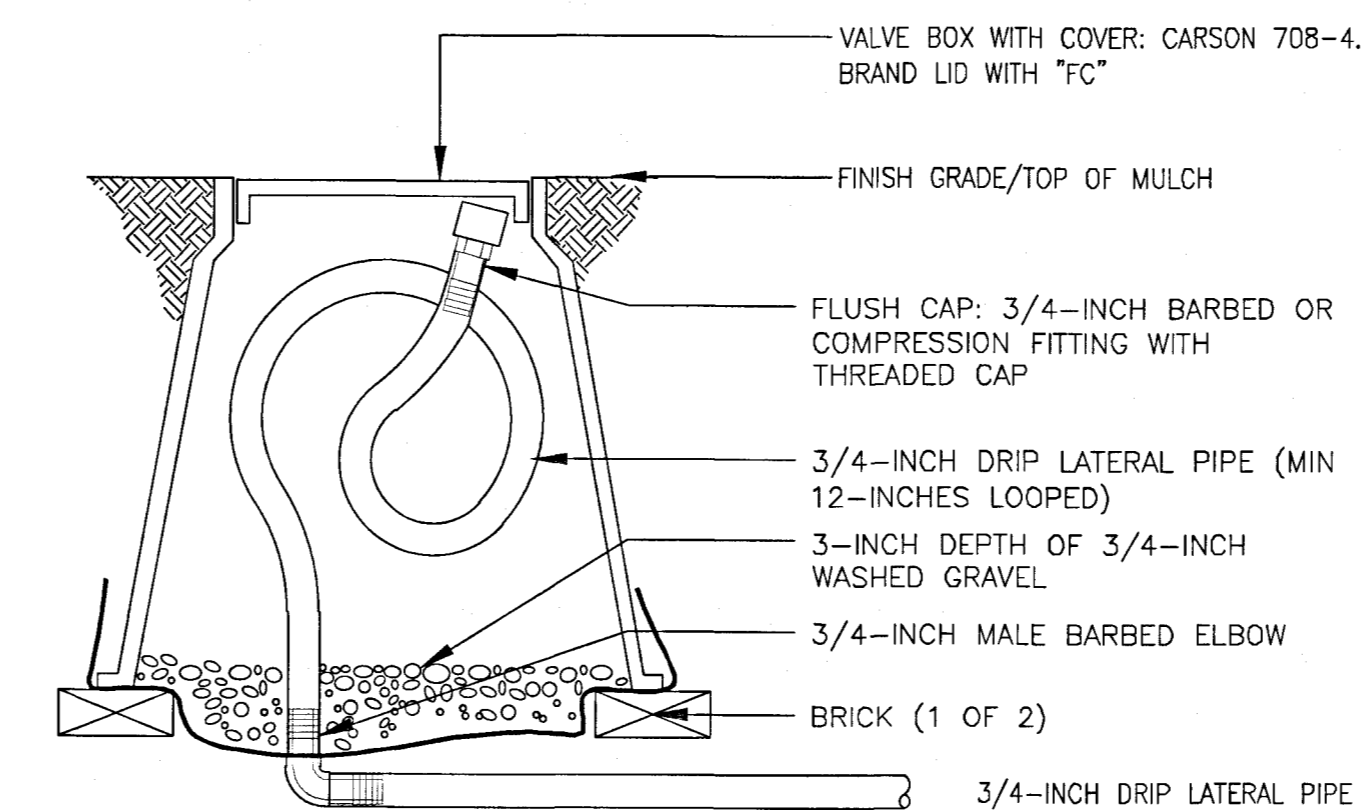


3 FLOW SENSOR ASSEMBLY



- NOTES:
1. REFER TO LANDSCAPE PLANS FOR TREE GRATE INSTALLATION AND DETAILS.

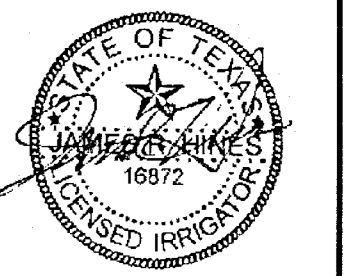
6 BUBBLER ASSEMBLY FOR TREES IN GRATES



- NOTE:
1. LOOP IRRIGATION DRIP TUBING INSIDE VALVE BOX FOR EXTENSION OUTSIDE OF BOX DURING BLOWOUT.

9 DRIP FLUSH CAP ASSEMBLY

Hines Inc
 SITE WATER ENGINEERING SERVICES
 323 W. DRAKE RD, SUITE 204
 FORT COLLINS, COLORADO 80526
 TEL: 970.226.8888
 Web: www.hinesinc.com



MAY 22, 2019

44 EAST
 44 EAST AVENUE
 AUSTIN, TRAVIS COUNTY, TEXAS 78701
 IRRIGATION DETAILS

SITE PLAN APPROVAL		SHEET OF	
FILE NUMBER: SP-2018-0472C	APPLICATION DATE: 10-5-18		
APPROVED BY COMMISSION ON UNDER SECTION 112 OF			
CHAPTER 25-S OF THE CITY OF AUSTIN CODE			
EXPIRATION DATE (25-S-61, LDC): 12/1/22	CASE MANAGER: A. Johnson		
DIRECTOR, DEVELOPMENT SERVICES DEPARTMENT		ZONING: C60	
RELEASED FOR GENERAL COMPLIANCE: 12/1/19			
REV. 1	CORRECTION 1		
REV. 2	CORRECTION 2		
REV. 3	CORRECTION 3		
FINAL PLAT MUST BE RECORDED BY THE PROJECT EXPIRATION DATE, IF APPLICABLE. SUBSEQUENT SITE PLANS WHICH DO NOT COMPLY WITH THE CODE CURRENT AT THE TIME OF FILING, AND ALL REQUIRED BUILDING PERMITS AND/OR A NOTICE OF CONSTRUCTION (IF A BUILDING PERMIT IS NOT REQUIRED) MUST ALSO BE APPROVED PRIOR TO THE PROJECT EXPIRATION DATE.			

SHEET
 IR3
 42 OF 72
 SP-2018-0472C