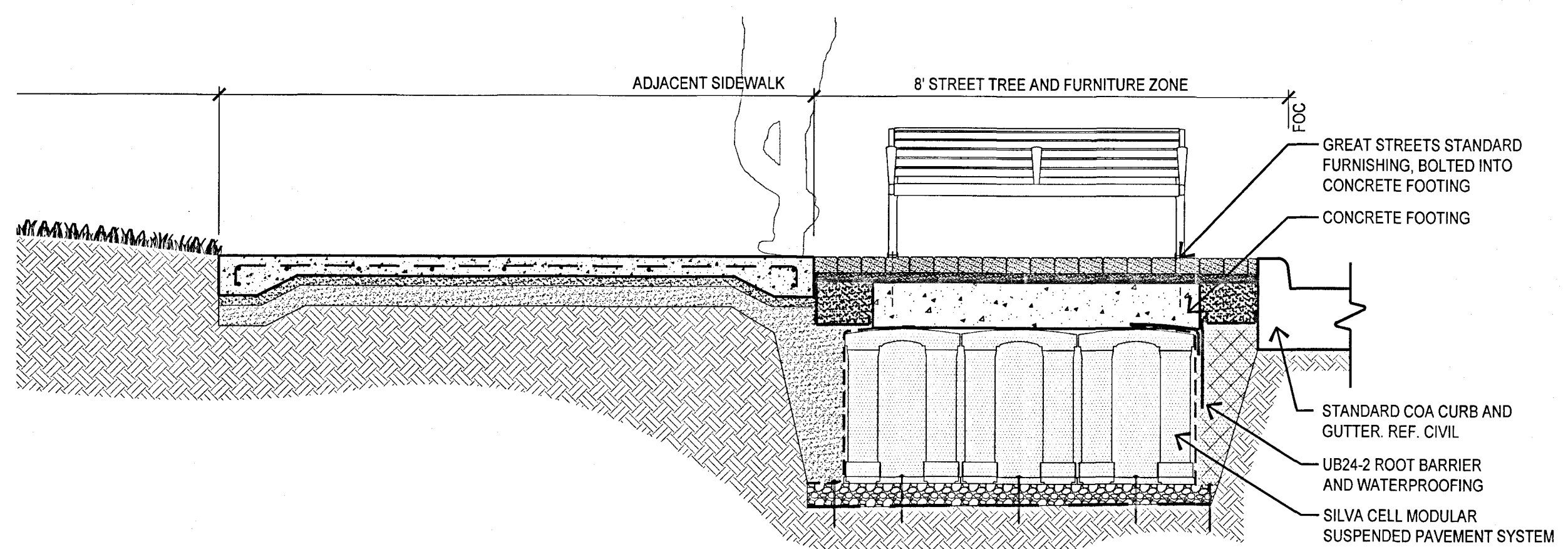
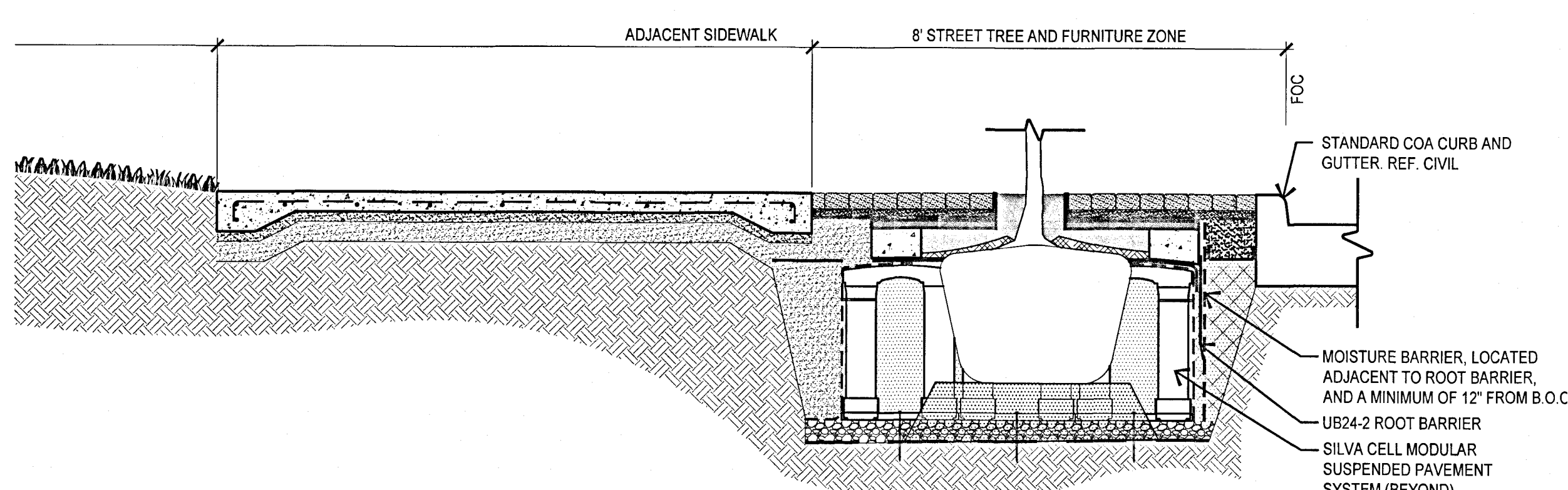


CONTINUOUS TREE WELL AT PLANTING BED SECTION SCALE: 1/2" = 1'-0" 09

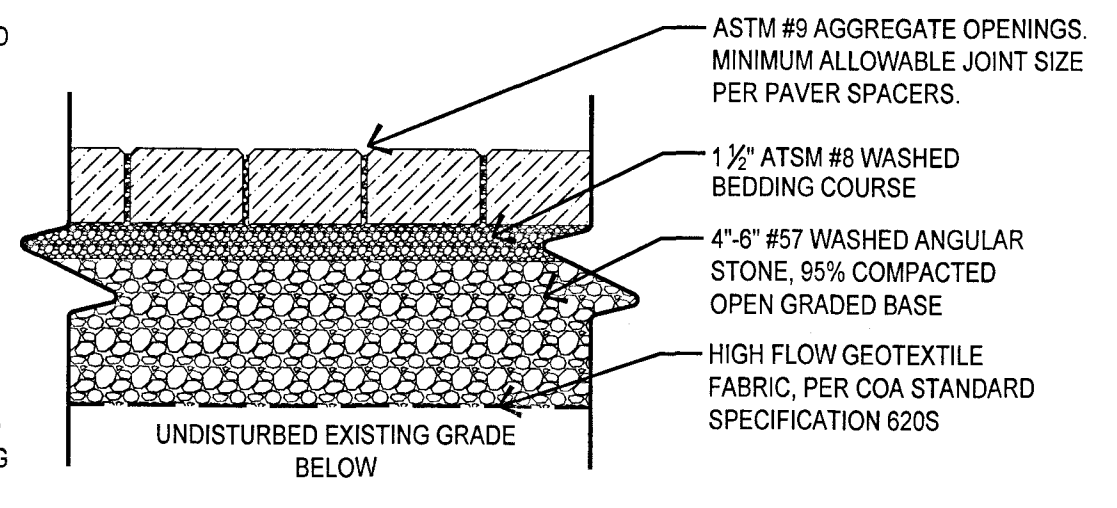


CONTINUOUS TREE WELL AT BENCH SECTION SCALE: 1/2" = 1'-0" 08

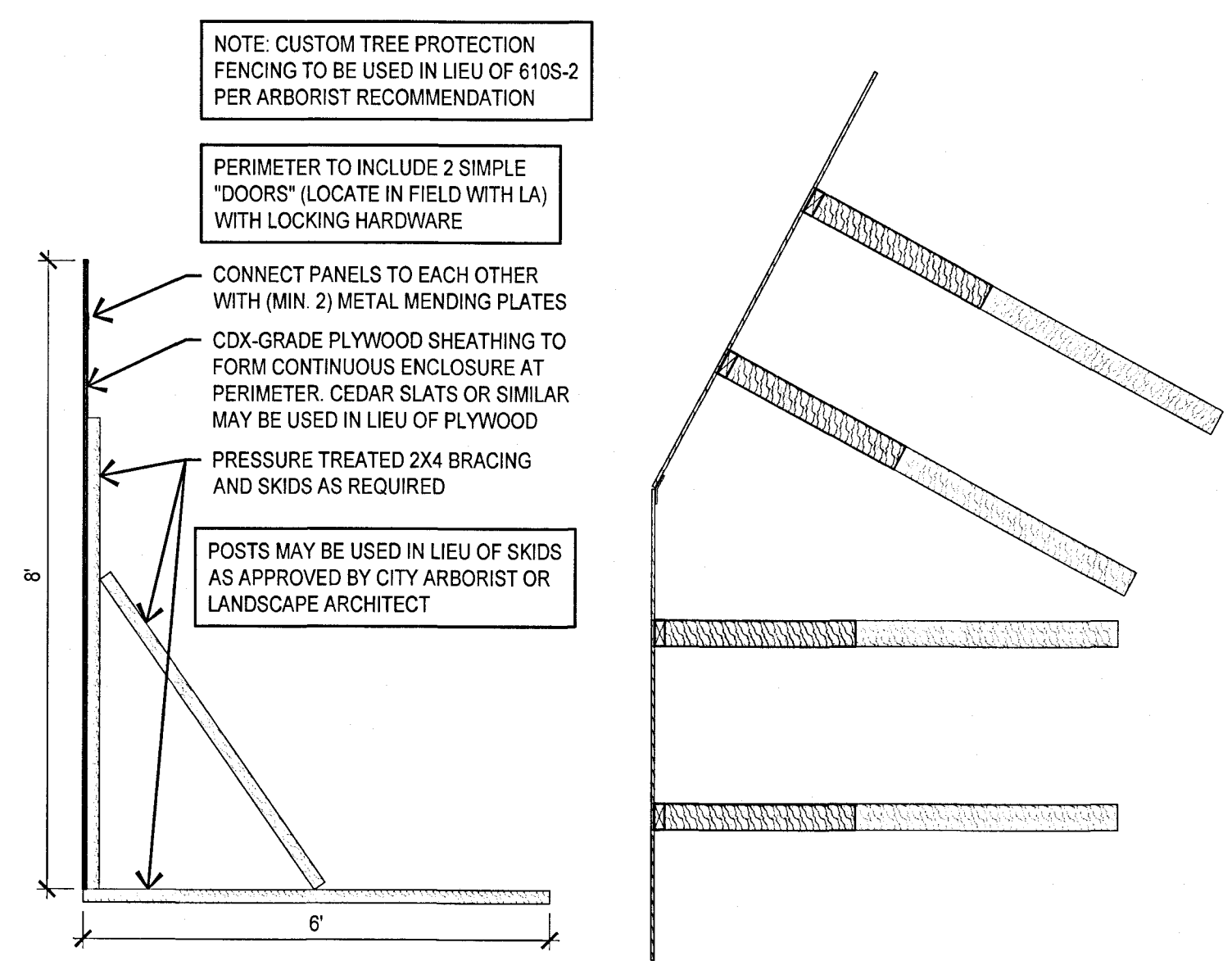


CONTINUOUS TREE WELL AT TREE PAVER GRATES SECTION SCALE: 1/2" = 1'-0" 07

PERMEABLE PAVER CONSTRUCTION NOTES:
 THE STANDARD SEQUENCE OF CONSTRUCTION MUST BE MODIFIED TO INCLUDE THE FOLLOWING SPECIAL REQUIREMENTS:
 1. PRE-CONSTRUCTION - CONTRACTOR INSTALLATION QUALIFICATIONS REQUIRE THAT THE CONTRACTOR PROVIDE TO THE ENVIRONMENTAL INSPECTOR AT THE PRELIMINARY CONSTRUCTION MEETING A STATEMENT ATTESTING TO QUALIFICATIONS AND DEMONSTRATING EXPERIENCE. CONTRACTORS MUST PROVE SPECIALIZED COMPETENCE BY PRESENTING A COPY OF CURRENT CERTIFICATION FROM AN AUTHORITY POROUS PAVEMENT INDUSTRY ASSOCIATION.
 ACCEPTABLE POROUS PAVEMENT INDUSTRY ASSOCIATIONS ARE THE FOLLOWING:
 - FOR OPEN-JOINTED BLOCK PAVEMENT, PERMEABLE INTERLOCKING CONCRETE PAVEMENT, OR CONCRETE GRID PAVEMENT: INTERLOCKING CONCRETE PAVEMENT INSTITUTE, BRICK INDUSTRY ASSOCIATION, NATIONAL CONCRETE MASONRY ASSOCIATION
 - FOR POROUS ASPHALT, TEXAS OR NATIONAL READY MIXED CONCRETE ASSOCIATIONS, OR
 - AMERICAN SOCIETY OF CIVIL ENGINEERS
 2. SATURATED HYDRAULIC CONDUCTIVITY TESTING MUST TAKE PLACE TWICE:
 - PRIOR TO CONSTRUCTION, AND
 - PRIOR TO PLACEMENT OF THE GRAVEL BED.
 3. THE ENVIRONMENTAL INSPECTOR MUST BE CONTACTED 48 HOURS PRIOR TO THE PLACEMENT OF THE GRAVEL BED SATURATED HYDRAULIC CONDUCTIVITY TEST BEING PERFORMED AND TEST RESULTS MUST BE PROVIDED TO THE INSPECTOR DOCUMENTING THAT THE DESIGN SATURATED HYDRAULIC CONDUCTIVITY HAS BEEN MET.

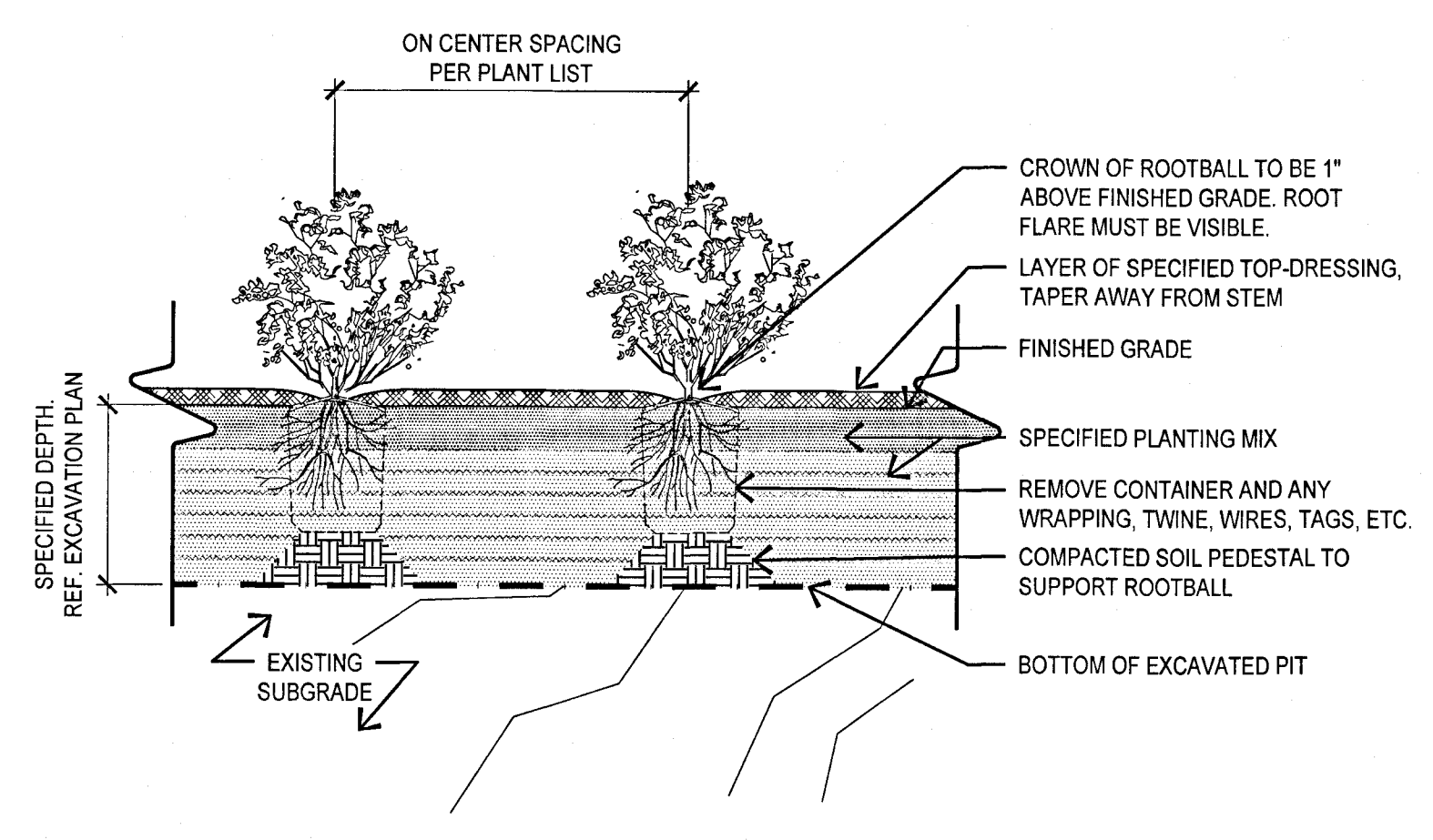


PERMEABLE PAVERS, TYP. SECTION SCALE: 1 1/2" = 1'-0" 06

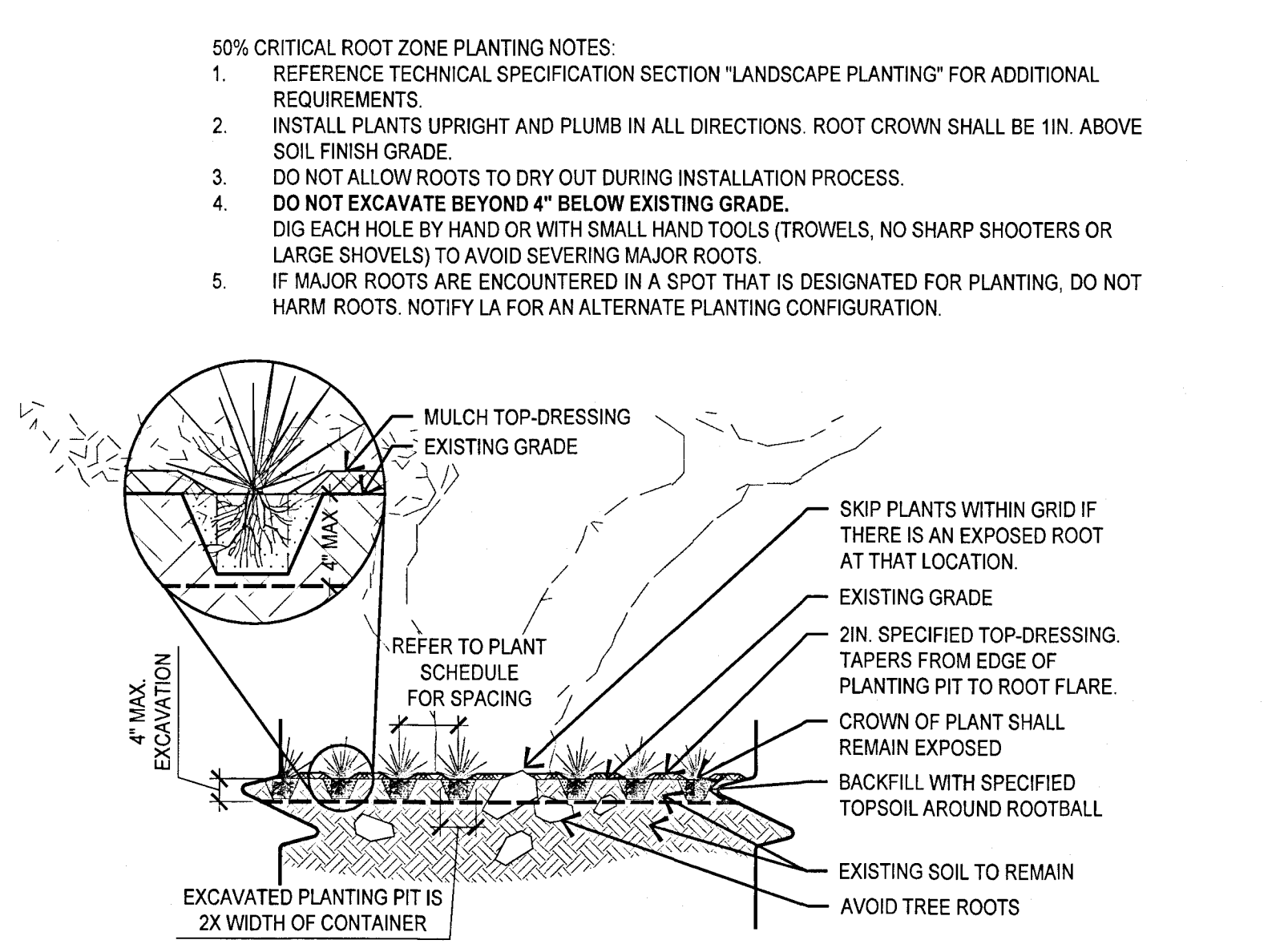


CUSTOM TREE PROTECTION FENCING, TYP. PLAN & SECTION SCALE: 1/2" = 1' 05

SHRUB AND PERENNIAL PLANTING NOTES:
 1. REFERENCE TECHNICAL SPECIFICATION SECTION "LANDSCAPE PLANTING" FOR ADDITIONAL REQUIREMENTS
 2. CUT ALL ROPES, WIRES AND BURLAP FROM ROOTBALL. REMOVE ALL CONTAINERS FROM ROOTBALL. GENTLY COMB OUT ROOTS
 3. LIFT AND SET THE SHRUB BY ROOTBALL ONLY. DO NOT LIFT USING THE STEMS
 4. INSTALL SHRUB UPRIGHT AND PLUMB IN ALL DIRECTIONS. ROOT CROWN SHALL BE 1IN. ABOVE SOIL FINISH GRADE.
 5. DO NOT HEAVILY PRUNE SHRUB AT PLANTING. ONLY PRUNE BROKEN OR DEAD BRANCHES.
 6. DO NOT PLACE MULCH BELOW PLANT TO LEVEL IT.
 7. PERCOLATION TEST TO BE PERFORMED ON ALL PLANTING AREAS. REFER TO TECHNICAL SPECIFICATIONS SECTION 32 91 15/TESTING

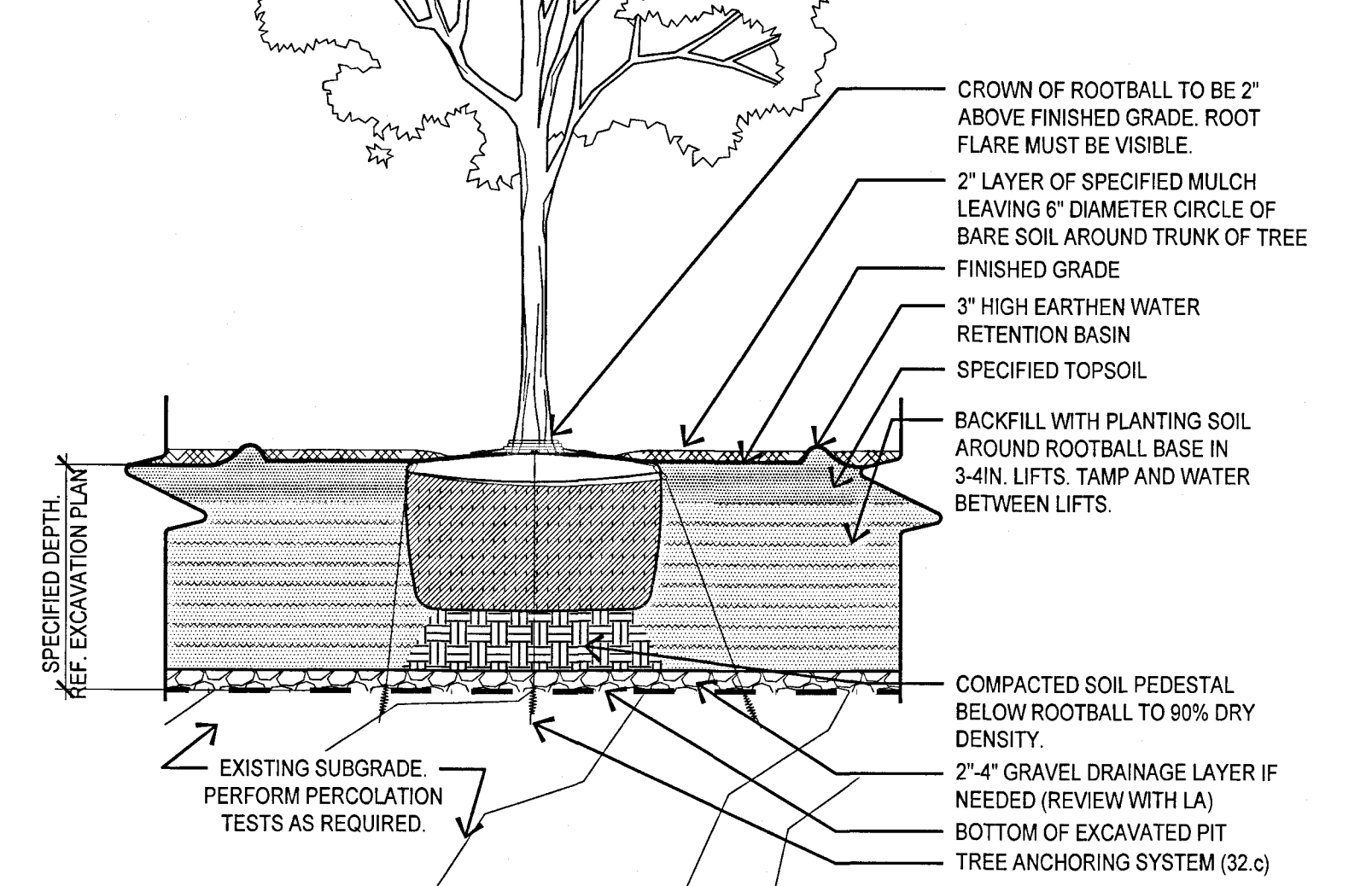


SHRUB PLANTING, TYP. SECTION SCALE: NTS 04

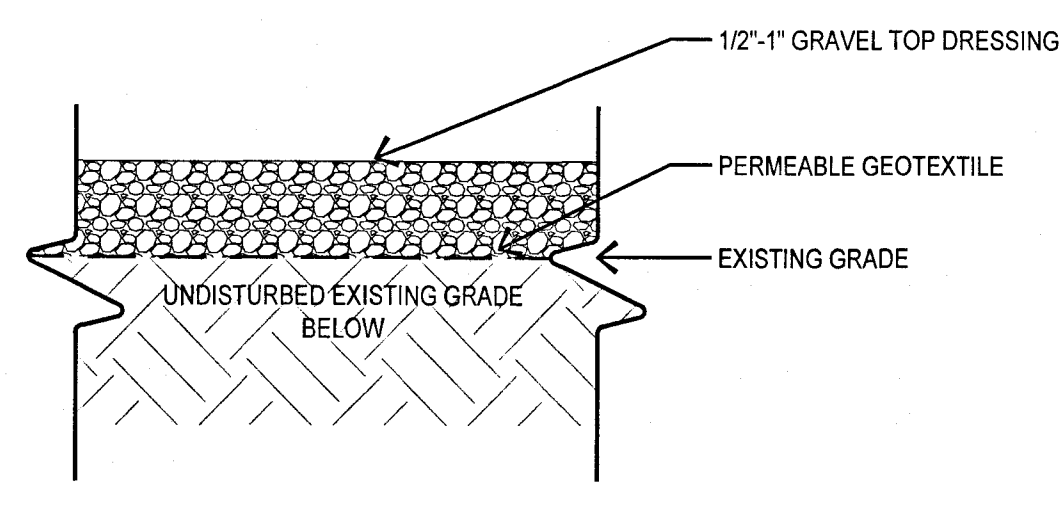


PLANTING IN CRZ, TYP. SECTION SCALE: NTS 02

TREE PLANTING NOTES:
 1. REFERENCE TECHNICAL SPECIFICATION SECTION "LANDSCAPE PLANTING" FOR ADDITIONAL REQUIREMENTS
 2. STAKE TREES ONLY UPON APPROVAL OF LA
 3. IF B&B, CUT ALL ROPES, WIRES AND BURLAP FROM TRUNK AND ROOTBALL. REMOVE ALL CONTAINERS FROM ROOTBALL
 4. LIFT AND SET THE TREE BY ROOTBALL ONLY. DO NOT LIFT USING THE TREE TRUNK
 5. INSTALL TREE UPRIGHT AND PLUMB IN ALL DIRECTIONS. ROOT CROWN SHALL BE 1IN. ABOVE SOIL FINISH GRADE
 6. DO NOT HEAVILY PRUNE TREE AT PLANTING. ONLY PRUNE SUCKERS, BROKEN OR DEAD BRANCHES
 7. PERCOLATION TEST TO BE PERFORMED ON ALL TREE PITS. REFER TO TECHNICAL SPECIFICATIONS SECTION 32 91 15/TESTING



TREE PLANTING, TYP. SECTION SCALE: NTS 01



GRAVEL IN CRZ, TYP. SECTION SCALE: 1 1/2" = 1'-0" 03

SITE PLAN APPROVAL SHEET OF 10518
 FILE NUMBER: SP-2018-0472C APPLICATION DATE: 10/5/18
 APPROVED BY COMMISSION ON UNDER SECTION 112 OF CHAPTER 25-5 OF THE CITY OF AUSTIN CODE EXPIRATION DATE (25-5-81, LOC. A. 2122) CASE MANAGER: A. Johnson
 DIRECTOR, DEVELOPMENT SERVICES DEPARTMENT
 RELEASED FOR GENERAL COMPLIANCE 9/27/19 ZONING: C.B.D.
 REV. 1 CORRECTION 1
 REV. 2 CORRECTION 2
 REV. 3 CORRECTION 3
 FINAL PLAT MUST BE RECORDED BY THE PROJECT EXPIRATION DATE. IF APPLICABLE. SUBSEQUENT SITE PLANS WHICH DO NOT COMPLY WITH THE CODE CURRENT AT THE TIME OF FILING, AND ALL REQUIRED BUILDING PERMITS AND/OR A NOTICE OF CONSTRUCTION (IF A BUILDING PERMIT IS NOT REQUIRED) MUST ALSO BE APPROVED PRIOR TO THE PROJECT EXPIRATION DATE.

44 EAST AVENUE
 44 EAST AVENUE
 AUSTIN, TRAVIS COUNTY, TEXAS 78701
 LANDSCAPE NOTES & DETAILS

dwg. | 912b congress | 78701 | 512.320.0668 | studiodwg.com

REGISTERED LANDSCAPE ARCHITECT
 STATE OF TEXAS
 2285
 July 25, 2019

SHEET
 L3
 39 OF 72
 SP-2018-0472C